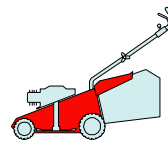
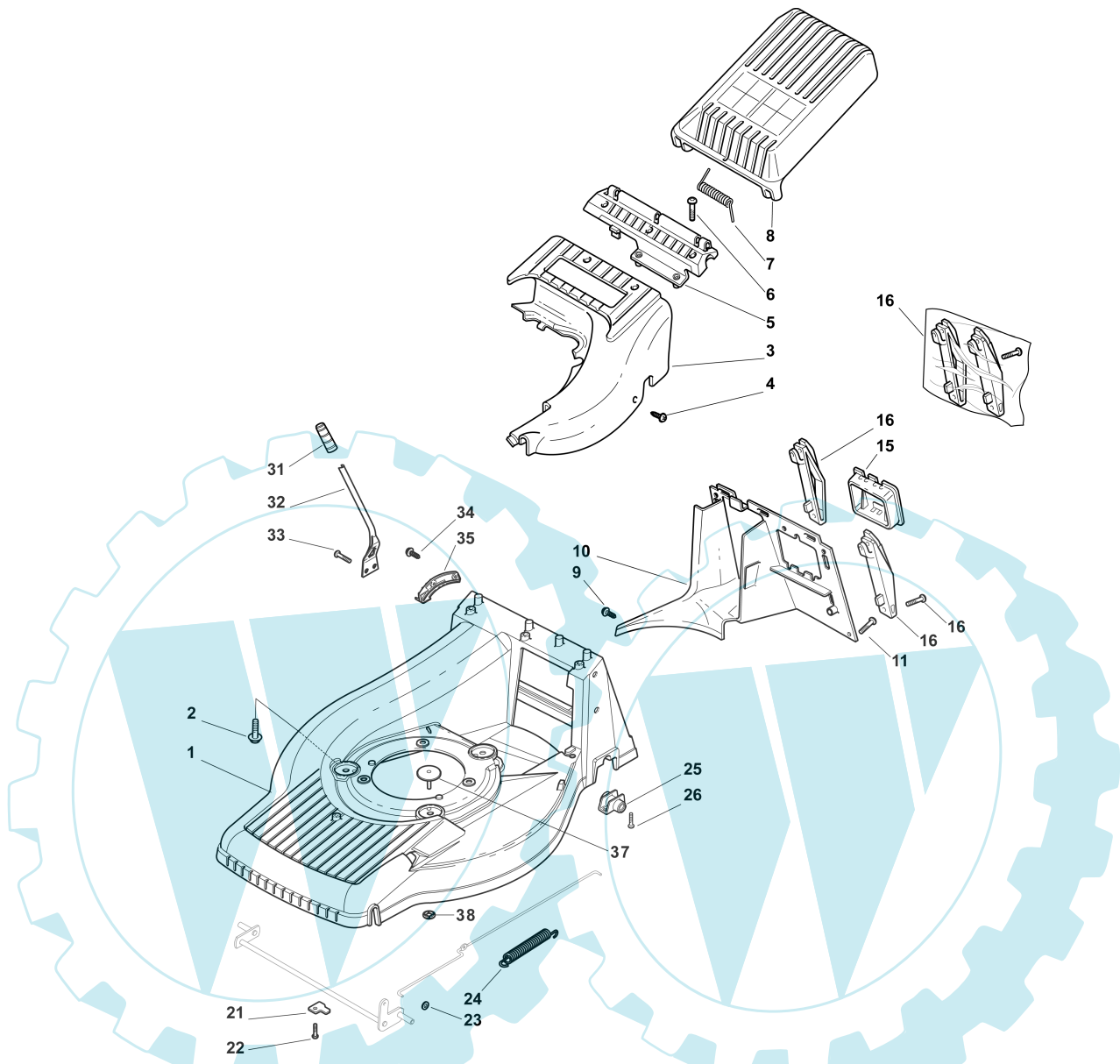


TU			
454	504	554	
TR	TR/E	TR 4S	TR/E 4S



2007
861.0
1 / 2

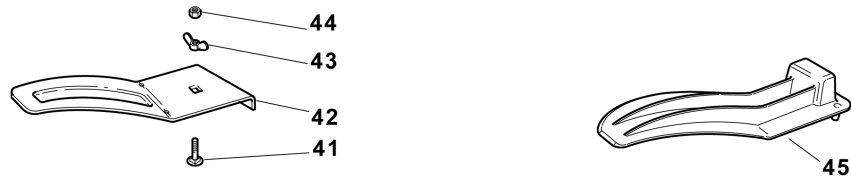


POS.	CODE	Q.TY	DESCRIZIONE	DESCRIPTION	DESCRIPTION	BESCHREIBUNG	REMARKS
1	81002656/0	1	CHASSIS GIALLO	DECK YELLOW	CHÂSSIS JAUNE	GEHÄUSE GELB	(454)
-	81002657/0	1	CHASSIS GIALLO	DECK YELLOW	CHÂSSIS JAUNE	GEHÄUSE GELB	(504)
-	81002660/0	1	CHASSIS GIALLO	DECK YELLOW	CHÂSSIS JAUNE	GEHÄUSE GELB	(554)
2	12735108/0	3	VITE	SCREW	VIS	SCHRAUBE	
3	22060151/0	1	CARTER, GIALLO	PROTECTION, YELLOW	PROTECTION, JAUNE	SCHUTZ, GELB	(454)
-	22060152/0	1	CARTER, GIALLO	PROTECTION, YELLOW	PROTECTION, JAUNE	SCHUTZ, GELB	(504)
-	22060156/0	1	CARTER, GIALLO	PROTECTION, YELLOW	PROTECTION, JAUNE	SCHUTZ, GELB	(554)
-	22060154/0	1	CARTER, GIALLO	PROTECTION, YELLOW	PROTECTION, JAUNE	SCHUTZ, GELB	(554 AVS)
4	12728300/0	3	VITE	SCREW	VIS	SCHRAUBE	
5	22785156/0	1	SUPPORTO, GIALLO	SUPPORT, YELLOW	SUPPORT, JAUNE	HALTER, GELB	(454)
-	22785178/0	1	SUPPORTO, NERO	SUPPORT, BLACK	SUPPORT, NOIR	HALTER, SCHWARZ	(454)
-	22785157/0	1	SUPPORTO, GIALLO	SUPPORT, YELLOW	SUPPORT, JAUNE	HALTER, GELB	(504 - 554)
-	22785179/0	1	SUPPORTO, NERO	SUPPORT, BLACK	SUPPORT, NOIR	HALTER, SCHWARZ	(504 - 554)
6	12735664/0	3	VITE	SCREW	VIS	SCHRAUBE	
7	22450443/0	1	MOLLA	SPRING	RESSORT	FEDER	

POS.	CODE	Q.TY	DESCRIZIONE	DESCRIPTION	DESCRIPTION	BESCHREIBUNG	REMARKS
8	22600080/0	1	PARASASSI GIALLO	STONE-GUARD, YELLOW	PARE-PIERRES, JAUNE	PRALLBLECH, GELB	(454)
-	22600079/0	1	PARASASSI, NERO	BLACK STONE-GUARD	PARE-PIERRES, NOIR	PRALLBLECH, GRAU	(454)
-	22600069/1	1	PARASASSI GIALLO	STONE-GUARD, YELLOW	PARE-PIERRES, JAUNE	PRALLBLECH, GELB	(504 - 554)
-	22600068/1	1	PARASASSI, NERO	BLACK STONE-GUARD	PARE-PIERRES, NOIR	PRALLBLECH, GRAU	(504 - 554)
9	12728300/0	1	VITE	SCREW	VIS	SCHRAUBE	
10	22108279/0	1	CONVOGL. POSTERIORE	REAR CONVEYOR ASSY	ENS. CONVOYEUR POST.	HINTERLEITBLECHSATZ	(454)
-	22108276/0	1	CONVOGL. POSTERIORE	REAR CONVEYOR ASSY	ENS. CONVOYEUR POST.	HINTERLEITBLECHSATZ	(454 MULCHING)
-	22108277/0	1	CONVOGL. POSTERIORE	REAR CONVEYOR ASSY	ENS. CONVOYEUR POST.	HINTERLEITBLECHSATZ	(504 - 554)
11	12735664/0	3	VITE	SCREW	VIS	SCHRAUBE	
15	22109531/0	1	COPERCHIO	COVER	COUVERCLE	DECKEL	
16	81008658/1	1	DOTAZIONE SUPPORTI	OUTFIT, SUPPORTS	DOTATION SUPPORT	SATZ, HALTER	
21	22545160/0	2	PIASTRINA	PLATE	PLAQUETTE	PLÄTTCHEN	
22	12735664/0	2	VITE	SCREW	VIS	SCHRAUBE	
23	12604898/0	2	FISSATORE A CORONA	CROWN FASTENER	FIXATEUR A COURONNE	KRONESCHEIBE	
24	22446181/0	1	MOLLA	SPRING	RESSORT	FEDER	
25	22785153/0	2	SUPPORTO GRUPPO TRAZIONE	SUPPORT, GEAR BOX	SUPPORT GR. TRACTION	HALTER, ANTRIEB	
26	12735664/0	4	VITE	SCREW	VIS	SCHRAUBE	
31	22399808/0	1	MANOPOLINA	KNOB	POIGNÉE	GRIF	
32	22321515/0	1	LEVA REGOLAZIONE ALTEZZA	LEVER, HEIGHT ADJUSTMENT	LEVIER REGLAGE HAUTEUR	HEBEL, HÖNEVERSTELLUNG	
33	12735661/0	2	VITE	SCREW	VIS	SCHRAUBE	
34	12728300/0	2	VITE	SCREW	VIS	SCHRAUBE	
35	22735563/0	1	SETTORE DI REGOLAZIONE	SECTOR, HEIGHT ADJUSTMENT	SECTEUR REGLAGE	SEKTOR, HÖHEVERSTELLUNG	
37	22820055/0	1	TAPPO	CAP	BOUCHON	GUMMISTOPFEN	(554 AVS)
38	12604899/0	1	FISSATORE A CORONA	CROWN FASTENER	FIXATEUR A COURONNE	KRONESCHEIBE	(554 AVS)

TU			
454	504	554	
TR	TR/E	TR 4S	TR/E 4S

2007
861a.0
1 / 1



POS.	CODE	Q.TY	DESCRIZIONE	DESCRIPTION	DESCRIPTION	BESCHREIBUNG	REMARKS
41	12818690/0	1	VITE	SCREW	VIS	SCHRAUBE	(454)
42	22140229/0	1	DEFLETTORE	DEFLECTOR	DEFLECTEUR	DEFLEKTOR	(454)
43	22399807/0	1	MANOPOLINA	KNOB	POIGNÉE	GRIFF	(454)
44	12293200/0	1	DADO	NUT	ECROU	MUTTER	(454)
45	22140231/0	1	DEFLETTORE	DEFLECTOR	DEFLECTEUR	DEFLEKTOR	(504)
-	22140232/0	1	DEFLETTORE	DEFLECTOR	DEFLECTEUR	DEFLEKTOR	(554)

TU

454

504

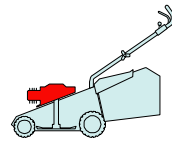
554

TR

TR/E

TR 4S

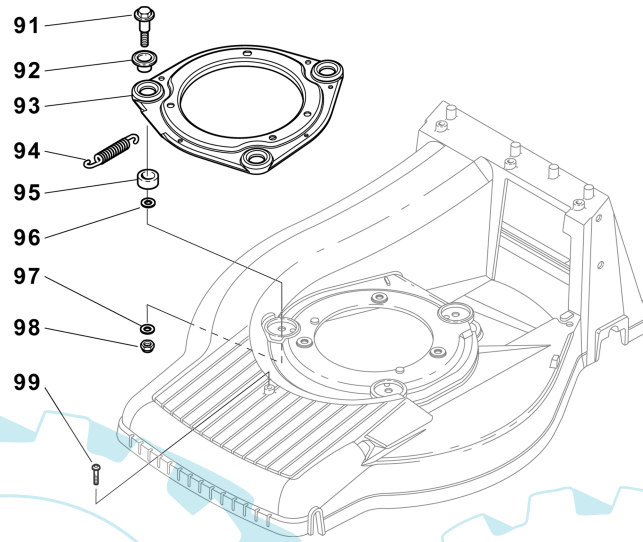
TR/E 4S



2007

861b.0

1 / 1



POS.	CODE	Q.TY	DESCRIZIONE	DESCRIPTION	DESCRIPTION	BESCHREIBUNG	REMARKS
91	22524329/0	3	PERNO	PIN	PIVOT	BOLZEN	
92	22672201/0	3	ROSETTA	WASHER	RONDELLE	SCHEIBE	
93	22207225/0	1	FLANGIA	FLANGE	BRIDE	FLANSCH	
94	22450445/0	1	MOLLA	SPRING	RESSORT	FEDER	
95	22250012/0	3	GOMMINO	GROMMET	PROCTECION	SCHUTZ	
96	22671651/0	3	ROSETTA	WASHER	RONDELLE	SCHEIBE	
97	12523060/0	3	ROSETTA	WASHER	RONDELLE	SCHEIBE	
98	12155000/0	3	DADO	NUT	ECROU	MUTTER	
99	12735661/0	1	VITE	SCREW	VIS	SCHRAUBE	

TU

454

504

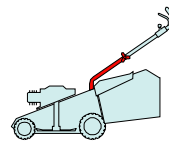
554

TR

TR/E

TR 4S

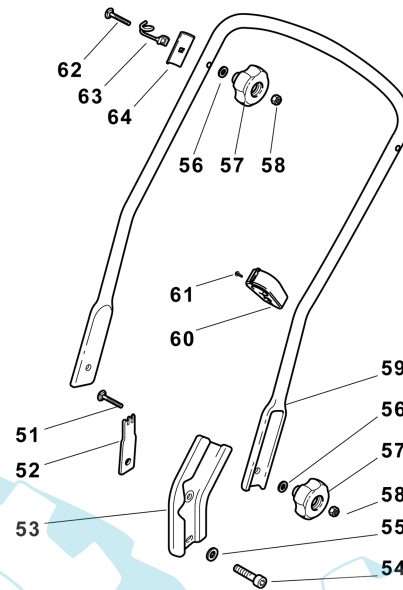
TR/E 4S



2007

862.0

1 / 1



POS.	CODE	Q.TY	DESCRIZIONE	DESCRIPTION	DESCRIPTION	BESCHREIBUNG	REMARKS
51	12820655/0	2	VITE	SCREW	VIS	SCHRAUBE	
52	22551635/0	1	PIASTRINA FISSAGGIO MANICO	PLATE FOR HANDLE FASTENING	PLAQUETTE FIXAGE MANCHERON	PLATTE HOLMBEFESTIGUNG	
53	22778405/0	2	SUPPORTO	SUPPORT	SUPPORT	HALTER	
54	12760515/0	2	VITE	SCREW	VIS	SCHRAUBE	
55	12521350/0	2	ROSETTA	WASHER	RONDELLE	SCHEIBE	
56	12521350/0	4	ROSETTA	WASHER	RONDELLE	SCHEIBE	
-	81002239/0	1	SACCO, TELA	BOX, FABRIC	SAC, TOILE	SACK, TUCK	
57	22399810/0	4	MANOPOLINA	KNOB	POIGNÉE	GRIFF	
58	12361005/0	4	DADO	NUT	ECROU	MUTTER	
59	81006612/0	1	MANICO, PARTE INF	HANDLE, LOWER PART	MANCHERON, PARTIE INFÉRIEURE	HOLM, UNTERTEIL	(454)
-	81006613/0	1	MANICO, PARTE INF	HANDLE, LOWER PART	MANCHERON, PARTIE INFÉRIEURE	HOLM, UNTERTEIL	(504 - 554)
60	22192001/0	1	FASCETTA ANCORAGGIO	ANCHOR CLAMP	COLLIER ANCRAGE	BOWDENZUGHALTER	
61	12728691/0	1	VITE	SCREW	VIS	SCHRAUBE	
62	12820655/0	2	VITE	SCREW	VIS	SCHRAUBE	
63	22430311/0	1	MOLLA GUIDA	GUIDE SPRING	RESSORT DE GUIDE	FEDER FÜHRER	
64	22545137/0	2	PIASTRINA FISSAGGIO MANICO	PLATE FOR HANDLE FASTENING	PLAQUETTE FIXAGE MANCHERON	PLATTE HOLMBEFESTIGUNG	

TU

454

504

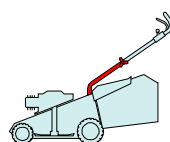
554

TR

TR/E

TR 4S

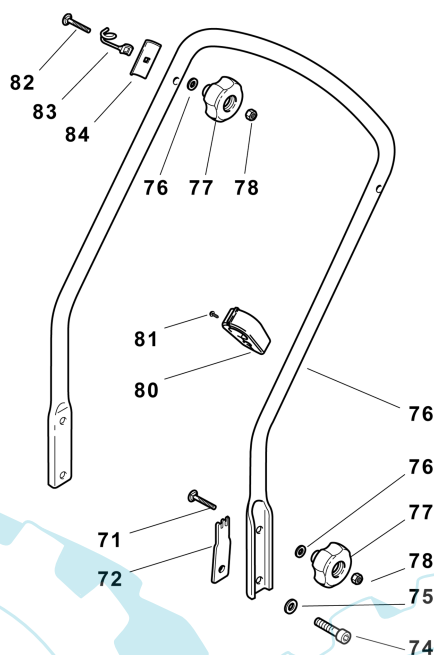
TR/E 4S



2007

862a.0

1 / 1



POS.	CODE	Q.TY	DESCRIZIONE	DESCRIPTION	DESCRIPTION	BESCHREIBUNG	REMARKS
71	12820655/0	2	VITE	SCREW	VIS	SCHRAUBE	
72	22551635/0	2	PIASTRINA FISSAGGIO MANICO	PLATE FOR HANDLE FASTENING	PLAQUETTE FIXAGE MANCHERON	PLATTE HOLMBEFESTIGUNG	
74	12760515/0	2	VITE	SCREW	VIS	SCHRAUBE	
75	12521350/0	2	ROSETTA	WASHER	RONDELLE	SCHEIBE	
76	81006641/0	1	MANICO, PARTE INF	HANDLE, LOWER PART	MANCHERON, PARTIE INFERIEURE	HOLM, UNTERTEIL	
-	12521350/0	4	ROSETTA	WASHER	RONDELLE	SCHEIBE	
77	22399810/0	4	MANOPOLINA	KNOB	POIGNÉE	GRIFF	
78	12361005/0	4	DADO	NUT	ECROU	MUTTER	
82	12820655/0	2	VITE	SCREW	VIS	SCHRAUBE	
83	22430311/0	1	MOLLA GUIDA	GUIDE SPRING	RESSORT DE GUIDE	FEDER FÜHRER	
84	22545137/0	2	PIASTRINA FISSAGGIO MANICO	PLATE FOR HANDLE FASTENING	PLAQUETTE FIXAGE MANCHERON	PLATTE HOLMBEFESTIGUNG	

TU

454

504

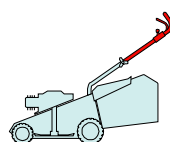
554

TR

TR/E

TR 4S

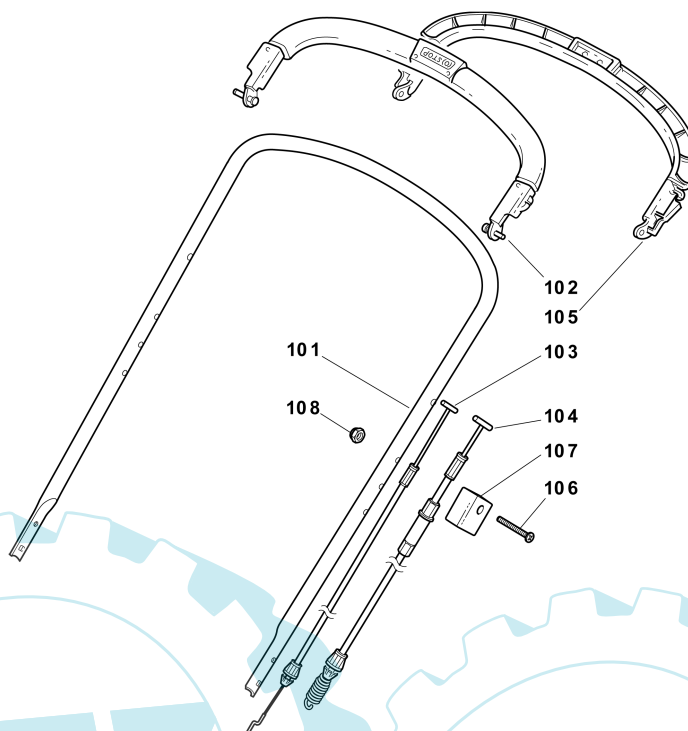
TR/E 4S



2007

863.0

1 / 1



POS.	CODE	Q.TY	DESCRIZIONE	DESCRIPTION	DESCRIPTION	BESCHREIBUNG	REMARKS
101	81006616/1	1	MANICO, PARTE SUP	HANDLE, UPPER PART	MANCHERON, PARTIE SUPERIEURE	HOLM, OBERTEIL	(454)
-	81006618/1	1	MANICO, PARTE SUP	HANDLE, UPPER PART	MANCHERON, PARTIE SUPERIEURE	HOLM, OBERTEIL	(504 - 554)
102	81003298/1	1	LEVA FRENO MOTORE	LEVER, MOTOR BRAKE	LEVIER FREIN MOTEUR	HEBEL, MOTORBREMSE	
103	81000685/0	1	CAVO FRENO MOTORE	CABLE, THREAD ENG. BRAKE	CABLE FREIN MOTEUR	KABEL, MOTORBREMSE	(454 (B&S - HONDA))
-	81000721/0	1	CAVO FRENO MOTORE	CABLE, THREAD ENG. BRAKE	CABLE FREIN MOTEUR	KABEL, MOTORBREMSE	(454 (GGP ENGINE))
-	81000686/0	1	CAVO FRENO MOTORE	CABLE, THREAD ENG. BRAKE	CABLE FREIN MOTEUR	KABEL, MOTORBREMSE	(504 - 554 (B&S))
-	81000689/0	1	CAVO FRENO MOTORE	CABLE, THREAD ENG. BRAKE	CABLE FREIN MOTEUR	KABEL, MOTORBREMSE	(504 - 554 (GGP ENGINE SV 150))
-	81000687/0	1	CAVO FRENO MOTORE	CABLE, THREAD ENG. BRAKE	CABLE FREIN MOTEUR	KABEL, MOTORBREMSE	(504 - 554 (HONDA - GGP ENGINE SV 200))
104	81000697/0	1	CAVO COMANDO TRAZIONE	CABLE, REAR DRIVE	CABLE, COMMANDE TRACTION	KABEL, ANTRIEB	
105	81003297/1	1	LEVA TRAZIONE	DRIVING LEVER	LEVIER TRACTION	ANTRIEBHEBEL	
106	12727783/0	1	VITE	SCREW	VIS	SCHRAUBE	
107	22551640/0	1	PIASTRINA	PLATE	PLAQUETTE	PLÄTTCHEN	
108	12154510/0	1	DADO	NUT	ECROU	MUTTER	

TU

454

504

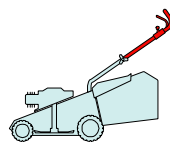
554

TR

TR/E

TR 4S

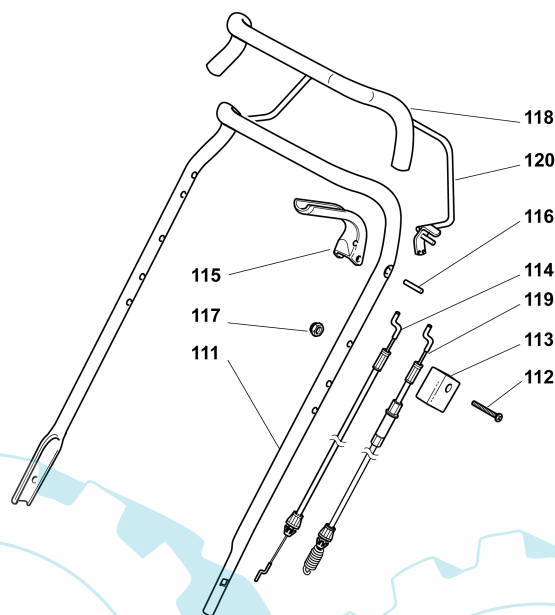
TR/E 4S



2007

863a.0

1 / 1



POS.	CODE	Q.TY	DESCRIZIONE	DESCRIPTION	DESCRIPTION	BESCHREIBUNG	REMARKS
111	81006597/1	1	MANICO, PARTE SUP	HANDLE, UPPER PART	MANCHERON, PARTIE SUPERIEURE	HOLM, OBERTEIL	
112	12727783/0	1	VITE	SCREW	VIS	SCHRAUBE	
113	22551640/0	1	PIASTRINA	PLATE	PLAQUETTE	PLÄTTCHEN	
114	81000683/0	1	CAVO FRENO MOTORE	CABLE, THREAD ENG. BRAKE	CABLE FREIN MOTEUR	KABEL, MOTORBREMSE	(B&S CLASSIC/SPRINT/LS/LC)
-	81000719/0	1	CAVO FRENO MOTORE	CABLE, THREAD ENG. BRAKE	CABLE FREIN MOTEUR	KABEL, MOTORBREMSE	(B&S QUANTUM)
-	81000737/0	1	CAVO FRENO MOTORE	CABLE, THREAD ENG. BRAKE	CABLE FREIN MOTEUR	KABEL, MOTORBREMSE	(GGP ENGINE)
115	22321700/0	1	LEVA FRENO MOTORE	LEVER, MOTOR BRAKE	LEVIER FREIN MOTEUR	HEBEL, MOTORBREMSE	
116	12645710/0	1	SPINA	PIN	GOUPILLE	STIFT	
117	12154510/0	1	DADO	NUT	ECROU	MUTTER	
118	22291057/0	1	IMPUGNATURA MANICO	HANDGRIP	POIGNÉE	HANDGRIFF	
119	81000695/0	1	CAVO COMANDO TRAZIONE	CABLE, REAR DRIVE	CÂBLE, COMMANDE TRACTION	KABEL, ANTRIEB	
120	81003305/0	1	LEVA TRAZIONE	DRIVING LEVER	LEVIER TRACTION	ANTRIEBHEBEL	

TU

454

504

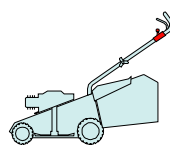
554

TR

TR/E

TR 4S

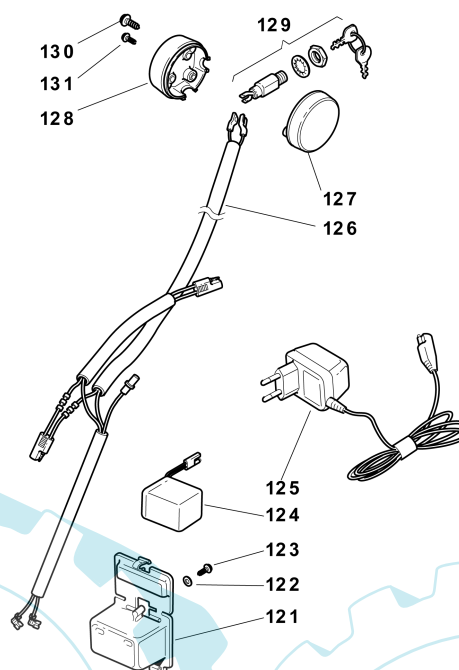
TR/E 4S



2007

863b.0

1 / 1



POS.	CODE	Q.TY	DESCRIZIONE	DESCRIPTION	DESCRIPTION	BESCHREIBUNG	REMARKS
121	22109533/0	1	CONTENITORE BATTERIA	BATTERY BOX	CONTENEUR DE BATTERIE	BATTERIE BEHALTER	
122	12523040/0	1	ROSETTA	WASHER	RONDELLE	SCHEIBE	
123	12728691/0	1	VITE	SCREW	VIS	SCHRAUBE	
124	18120052/0	1	BATTERIA	BATTERY	BATTERIE	BATTERIE	
125	18204120/0	1	CARICA BATTERIA	BATTERY CHARGER	CHARGEUR DE BATTERIE	LADGERÄT	
-	18204121/0	1	CARICA BATTERIA	BATTERY CHARGER	CHARGEUR DE BATTERIE	LADGERÄT	(UK)
126	18204195/0	1	CAVO AVVIAMENTO	CABLE, START	CABLE DÉMARRAGE	KABEL, START	
127	22722801/0	1	PROTEZIONE SX	L PROTECTION	PROTECTION G	LINKE SCHUTZ	
128	22722800/0	1	PROTEZIONE DX	R PROTECTION	PROTECTION D	RECHTE SCHUTZ	
129	18450050/0	1	INTERRUTTORE	SWITCH	INTERRUPTEUR	SCHALTER	
130	12728702/0	2	VITE	SCREW	VIS	SCHRAUBE	
131	12728691/0	1	VITE	SCREW	VIS	SCHRAUBE	

TU

454

504

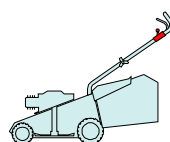
554

TR

TR/E

TR 4S

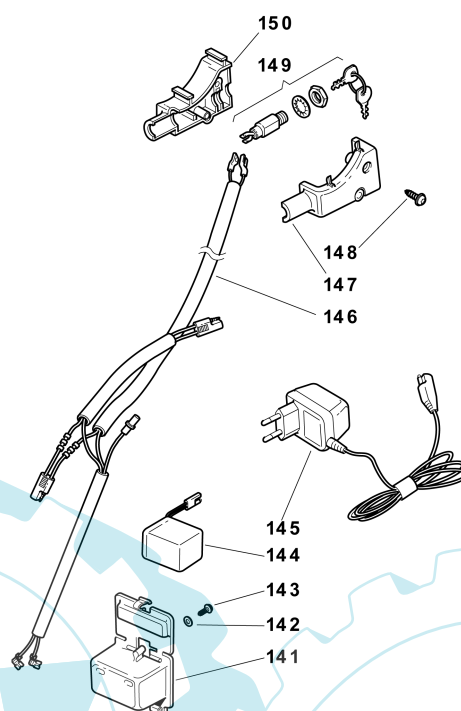
TR/E 4S



2007

863c.0

1 / 1



POS.	CODE	Q.TY	DESCRIZIONE	DESCRIPTION	DESCRIPTION	BESCHREIBUNG	REMARKS
141	22109533/0	1	CONTENITORE BATTERIA	BATTERY BOX	CONTENEUR DE BATTERIE	BATTERIE BEHALTER	
142	12523040/0	1	ROSETTA	WASHER	RONDELLE	SCHEIBE	
143	12728691/0	1	VITE	SCREW	VIS	SCHRAUBE	
144	18120052/0	1	BATTERIA	BATTERY	BATTERIE	BATTERIE	
145	18204120/0	1	CARICA BATTERIA	BATTERY CHARGER	CHARGEUR DE BATTERIE	LADGERÄT	
-	18204121/0	1	CARICA BATTERIA	BATTERY CHARGER	CHARGEUR DE BATTERIE	LADGERÄT	(UK)
146	18204195/0	1	CAVO AVVIAMENTO	CABLE, START	CABLE DÉMARRAGE	KABEL, START	
147	22722805/1	1	PROTEZIONE SX	L PROTECTION	PROTECTION G	LINKE SCHUTZ	
148	12728300/0	1	VITE	SCREW	VIS	SCHRAUBE	
149	18450050/0	1	INTERRUTTORE	SWITCH	INTERRUPTEUR	SCHALTER	
150	22722804/1	1	PROTEZIONE DX	R PROTECTION	PROTECTION D	RECHTE SCHUTZ	

TU

454

504

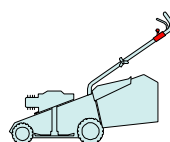
554

TR

TR/E

TR 4S

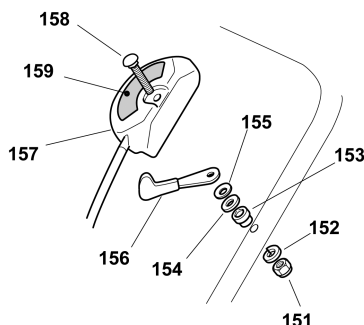
TR/E 4S



2007

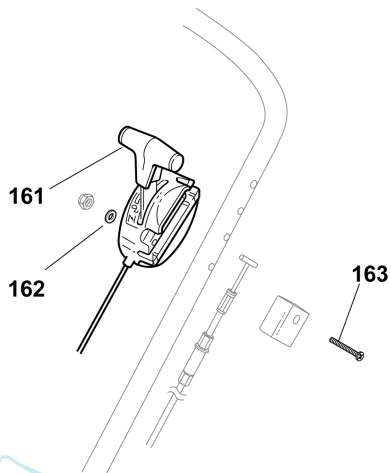
863d.0

1 / 1



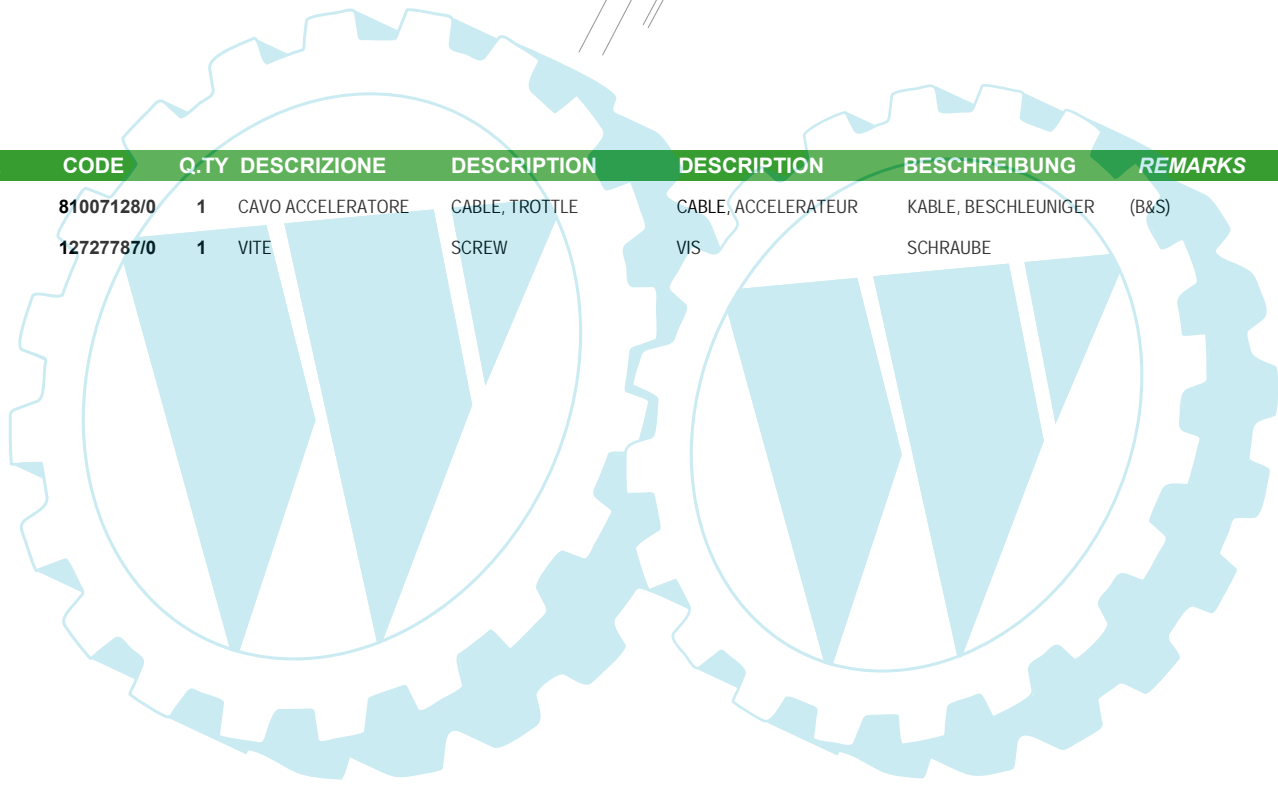
POS.	CODE	Q.TY	DESCRIZIONE	DESCRIPTION	DESCRIPTION	BESCHREIBUNG	REMARKS
151	12291000/0	1	DADO	NUT	ECROU	MUTTER	
152	12581500/0	1	GROWER	GROWER	GROWER	FEDERRING	
153	22171005/0	1	DISTANZIALE	SPACER	ENTRETOISE	DISTANZRING	
154	12521360/0	1	ROSETTA	WASHER	RONDELLE	SCHEIBE	
155	12508100/0	1	ROSETTA ELASTICA	SPRING WASHER	RONDELLE ELASTIQUE	ELASTISCHE SCHEIBE	
156	81007220/0	1	LEVA, ACCELERATORE	LEVER, THROTTLE	LEVIER, ACCELERATEUR	HEBEL, BESHLEUNIGER	(B&S CLASSIC/SPRINT/LS/LC - GGP ENGINE)
-	81007279/1	1	LEVA, ACCELERATORE	LEVER, THROTTLE	LEVIER, ACCELERATEUR	HEBEL, BESHLEUNIGER	(B&S QUANTUM - HONDA)
157	81007080/0	1	CAVO ACCELERATORE	CABLE, TROTTLE	CABLE, ACCELERATEUR	KABLE, BESCHLEUNIGER	
158	12815000/0	1	VITE	SCREW	VIS	SCHRAUBE	
159	14356703/0	1	ETICHETTA	LABEL	ETIQUETTE	ETIKETTE	(B&S)
-	14356702/0	1	ETICHETTA	LABEL	ETIQUETTE	ETIKETTE	(GGP ENGINE - HONDA)

TU					2007
454	504	554	863e.0		
TR	TR/E	TR 4S	TR/E 4S		1 / 1



POS.	CODE	Q.TY	DESCRIZIONE	DESCRIPTION	DESCRIPTION	BESCHREIBUNG	REMARKS
------	------	------	-------------	-------------	-------------	--------------	---------

161	81007128/0	1	CAVO ACCELERATORE	CABLE, TROTTLE	CABLE, ACCELERATEUR	KABLE, BESCHLEUNIGER	(B&S)
163	12727787/0	1	VITE	SCREW	VIS	SCHRAUBE	



TU

454

504

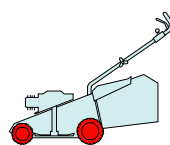
554

TR

TR/E

TR 4S

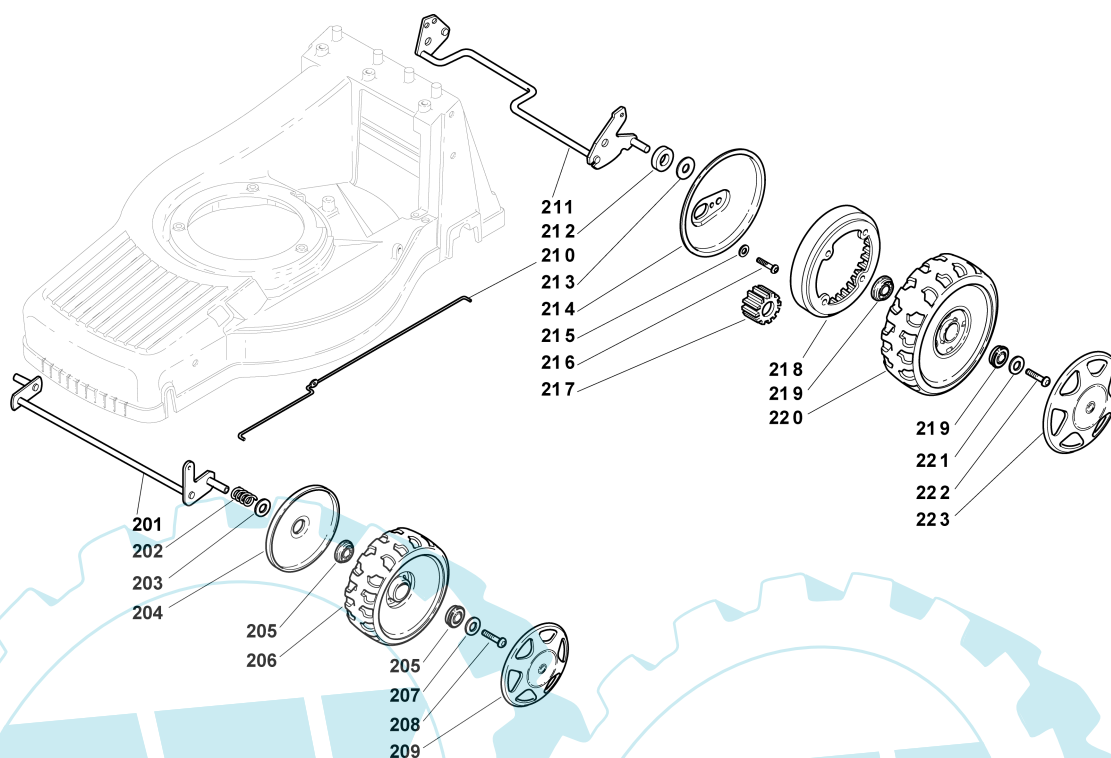
TR/E 4S



2007

864.0

1 / 1



POS.	CODE	Q.TY	DESCRIZIONE	DESCRIPTION	DESCRIPTION	BESCHREIBUNG	REMARKS
201	81002843/0	1	ASSE RUOTE ANTERIORI	AXLE, FRONT WHEELS	AXE ROUES AVANT	ACHSE, VORDERRAD	(454)
202	22430215/0	2	MOLLA	SPRING	RESSORT	FEDER	
203	12521370/0	2	ROSETTA	WASHER	RONDELLE	SCHEIBE	
204	22600095/0	2	PROT. RUOTE	PROTECTION, WHEEL	PROTECTION ROUE	SCHÜTZ, RÄDER	
205	22122200/0	4	CUSCINETTO	BEARING	COUSSINET	LAGER	
206	22686091/1	2	RUOTA Ø 165	WHEEL Ø 165	ROUE Ø 165	RAD Ø 165	
207	12521460/0	2	ROSETTA	WASHER	RONDELLE	SCHEIBE	
208	12735662/0	2	VITE	SCREW	VIS	SCHRAUBE	
209	---	2	COPRIMOZZO	HUB CAP	COUVRE-MOYEU	RADKAPPE	(SEE ENCLOSURE 1)
210	22033321/0	1	ASTA COMANDO REGOL. ALTEZZA	ROD, HEIGHT ADJUSTMENT CONTROL	TIGE COMMANDE REGLAGE HAUTEUR	STANGE, HÖHEVERSTELLUNG	(454)
211	81002841/0	1	ASSE RUOTE POSTERIORI	AXLE, REAR WHEELS	AXE ROUES ARRIERE	ACHSE, HINTERRAD	(454)
212	22170815/0	2	DISTANZIALE	SPACER	ENTRETOISE	DISTANZRING	
213	22675100/0	2	ROSETTA	WASHER	RONDELLE	SCHEIBE	
214	22600121/0	2	PROT. RUOTE	PROTECTION, WHEEL	PROTECTION ROUE	SCHÜTZ, RÄDER	
215	12521460/0	2	ROSETTA	WASHER	RONDELLE	SCHEIBE	
216	12735662/0	2	VITE	SCREW	VIS	SCHRAUBE	
217	22570125/0	2	PIGNONE	PINION	PIGNON	RITZEL	
218	22120109/0	2	CORONA	RING GEAR	COURONNE	KRANZ	
219	22122200/0	4	CUSCINETTO	BEARING	COUSSINET	LAGER	
220	22686093/0	2	RUOTA Ø 190	WHEEL Ø 190	ROUE Ø190	RAD Ø 190	
221	12521460/0	2	ROSETTA	WASHER	RONDELLE	SCHEIBE	
222	12735662/0	2	VITE	SCREW	VIS	SCHRAUBE	
223	---	2	COPRIMOZZO	HUB CAP	COUVRE-MOYEU	RADKAPPE	(SEE ENCLOSURE 2)

TU

454

504

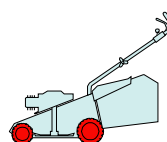
554

TR

TR/E

TR 4S

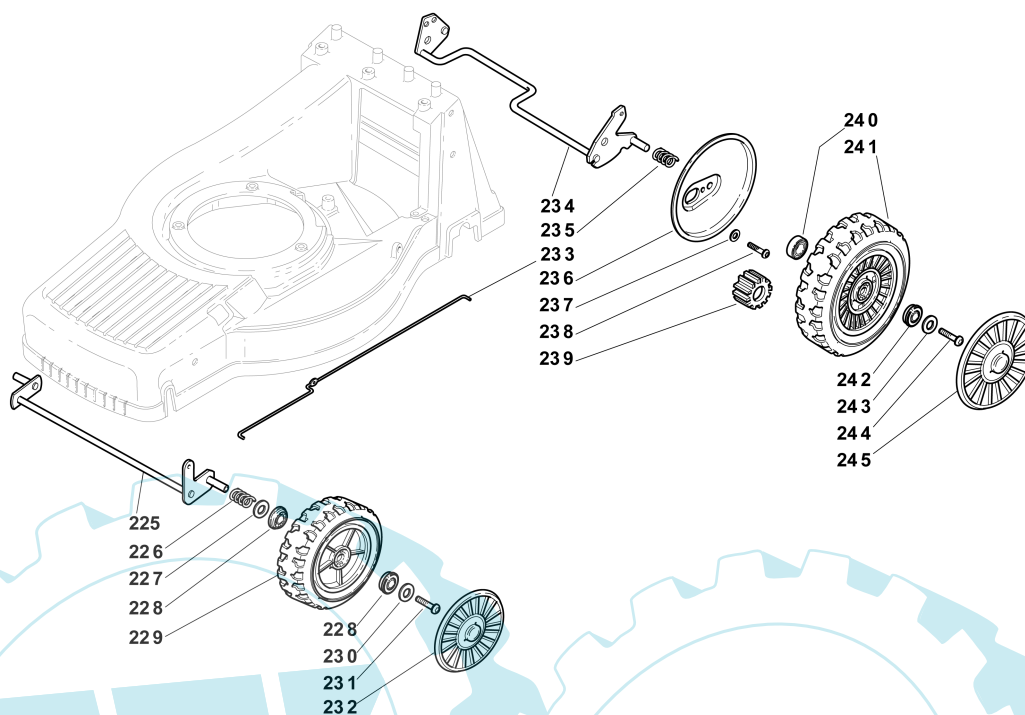
TR/E 4S



2007

864a.0

1 / 1



POS.	CODE	Q.TY	DESCRIZIONE	DESCRIPTION	DESCRIPTION	BESCHREIBUNG	REMARKS
225	81002845/0	1	ASSE RUOTE ANTERIORI	AXLE, FRONT WHEELS	AXE ROUES AVANT	ACHSE, VORDERRAD	(504)
-	81002847/0	1	ASSE RUOTE ANTERIORI	AXLE, FRONT WHEELS	AXE ROUES AVANT	ACHSE, VORDERRAD	(554)
226	22430210/0	2	MOLLA	SPRING	RESSORT	FEDER	
227	12521370/0	2	ROSETTA	WASHER	RONDELLE	SCHEIBE	
228	22122200/0	4	CUSCINETTO	BEARING	COUSSINET	LAGER	
229	81007351/0	2	RUOTA Ø 170	WHEEL Ø 170	ROUE Ø 170	RAD. Ø 170	
230	12521460/0	2	ROSETTA	WASHER	RONDELLE	SCHEIBE	
231	12735662/0	2	VITE	SCREW	VIS	SCHRAUBE	
232	---	2	COPRIMOZZO	HUB CAP	COUVRE-MOYEU	RADKAPPE	(SEE ENCLOSURE 1)
233	22033322/0	1	ASTA COMANDO REGOL. ALTEZZA	ROD, HEIGHT ADJUSTMENT CONTROL	TIGE COMMANDE REGLAGE HAUTEUR	STANGE, HÖHEVERSTELLUNG	(504)
-	22033323/0	1	ASTA COMANDO REGOL. ALTEZZA	ROD, HEIGHT ADJUSTMENT CONTROL	TIGE COMMANDE REGLAGE HAUTEUR	STANGE, HÖHEVERSTELLUNG	(554)
234	81002823/0	1	ASSE RUOTE POSTERIORI	AXLE, REAR WHEELS	AXE ROUES ARRIERE	ACHSE, HINTERRAD	
235	22430215/0	2	MOLLA	SPRING	RESSORT	FEDER	
236	22600121/0	2	PROT. RUOTE	PROTECTION, WHEEL	PROTECTION ROUE	SCHÜTZ, RÄDER	
237	12521460/0	2	ROSETTA	WASHER	RONDELLE	SCHEIBE	
238	12735662/0	2	VITE	SCREW	VIS	SCHRAUBE	
239	22570125/0	2	PIGNONE	PINION	PIGNON	RITZEL	
240	19216038/0	2	CUSCINETTO	BEARING	COUSSINET	LAGER	(554)
241	81007361/0	2	RUOTA Ø 190	WHEEL Ø 190	ROUE Ø190	RAD Ø 190	(504)
-	81007362/0	2	RUOTA Ø 215	WHEEL Ø 215	ROUE Ø 215	RAD. Ø 215	(554)
242	22122201/0	4	CUSCINETTO	BEARING	COUSSINET	LAGER	(504)
-	22122201/0	2	CUSCINETTO	BEARING	COUSSINET	LAGER	(554)
243	12521460/0	2	ROSETTA	WASHER	RONDELLE	SCHEIBE	
244	12735662/0	2	VITE	SCREW	VIS	SCHRAUBE	
245	---	2	COPRIMOZZO	HUB CAP	COUVRE-MOYEU	RADKAPPE	(SEE ENCLOSURE 2)

TU

454

504

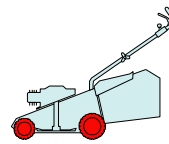
554

TR

TR/E

TR 4S

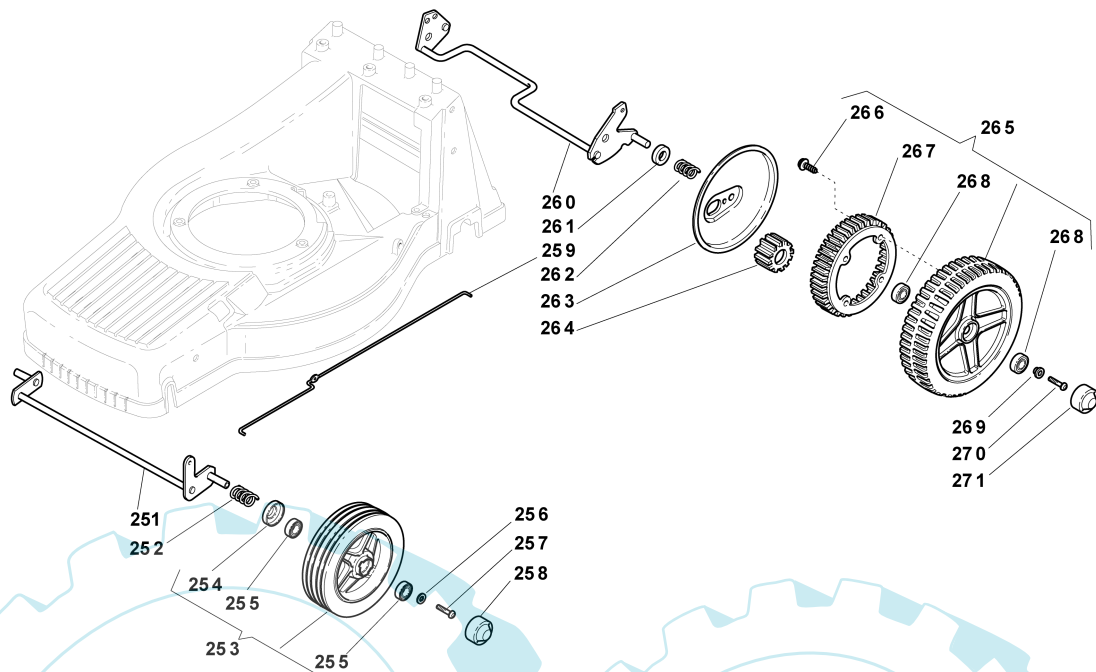
TR/E 4S



2007

864b.0

1 / 1



POS.	CODE	Q.TY	DESCRIZIONE	DESCRIPTION	DESCRIPTION	BESCHREIBUNG	REMARKS
251	81002817/0	1	ASSE RUOTE ANTERIORI	AXLE, FRONT WHEELS	AXE ROUES AVANT	ACHSE, VORDERRAD	(454)
-	81002821/0	1	ASSE RUOTE ANTERIORI	AXLE, FRONT WHEELS	AXE ROUES AVANT	ACHSE, VORDERRAD	(504)
-	81002825/0	1	ASSE RUOTE ANTERIORI	AXLE, FRONT WHEELS	AXE ROUES AVANT	ACHSE, VORDERRAD	(554)
252	22430210/0	2	MOLLA	SPRING	RESSORT	FEDER	
253	81007363/0	2	RUOTA Ø 175	WHEEL Ø 175	ROUE Ø 175	RAD Ø 175	
254	22160522/0	2	DISCO PARAPOLVERE	DUST COVER	PROTEGE-POUSSIÈRE	STAUBSCHUTTSCHIEBE	
255	19216039/0	4	CUSCINETTO	BEARING	COUSSINET	LAGER	
256	12521460/0	2	ROSETTA	WASHER	RONDELLE	SCHEIBE	
257	12735662/0	2	VITE	SCREW	VIS	SCHRAUBE	
258	22110379/0	2	COPRIMOZZO	HUB CAP	COUVRE-MOYEU	RADKAPPE	
259	22033321/0	1	ASTA COMANDO REGOL. ALTEZZA	ROD, HEIGHT ADJUSTMENT CONTROL	TIGE COMMANDE REGLAGE HAUTEUR	STANGE, HÖHEVERSTELLUNG	(454)
-	22033322/0	1	ASTA COMANDO REGOL. ALTEZZA	ROD, HEIGHT ADJUSTMENT CONTROL	TIGE COMMANDE REGLAGE HAUTEUR	STANGE, HÖHEVERSTELLUNG	(504)
-	22033323/0	1	ASTA COMANDO REGOL. ALTEZZA	ROD, HEIGHT ADJUSTMENT CONTROL	TIGE COMMANDE REGLAGE HAUTEUR	STANGE, HÖHEVERSTELLUNG	(554)
260	81002819/0	1	ASSE RUOTE POSTERIORI	AXLE, REAR WHEELS	AXE ROUES ARRIERE	ACHSE, HINTERRAD	(454)
-	81002823/0	1	ASSE RUOTE POSTERIORI	AXLE, REAR WHEELS	AXE ROUES ARRIERE	ACHSE, HINTERRAD	(504 - 554)
261	22170810/0	2	DISTANZIALE	SPACER	ENTRETOISE	DISTANZRING	
262	22430215/0	2	MOLLA	SPRING	RESSORT	FEDER	
263	22600127/0	2	PROT. RUOTE	PROTECTION, WHEEL	PROTECTION ROUE	SCHUTZ, RÄDER	
264	22570126/0	2	PIGNONE	PINION	PIGNON	RITZEL	
265	81007367/0	2	RUOTA Ø 205	WHEEL Ø 205	ROUE Ø 205	RAD Ø 205	(454 - 504)
-	81007368/0	2	RUOTA Ø 215	WHEEL Ø 215	ROUE Ø 215	RAD. Ø 215	(554)
266	12728210/0	8	VITE	SCREW	VIS	SCHRAUBE	
267	22120108/0	2	CORONA	RING GEAR	COURONNE	KRANZ	
268	19216038/0	4	CUSCINETTO	BEARING	COUSSINET	LAGER	
269	22671655/0	2	ROSETTA	WASHER	RONDELLE	SCHEIBE	
270	12735592/0	2	VITE	SCREW	VIS	SCHRAUBE	
271	22110380/0	2	COPRIMOZZO	HUB CAP	COUVRE-MOYEU	RADKAPPE	

TU

454

504

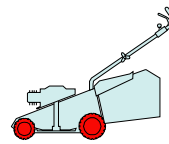
554

TR

TR/E

TR 4S

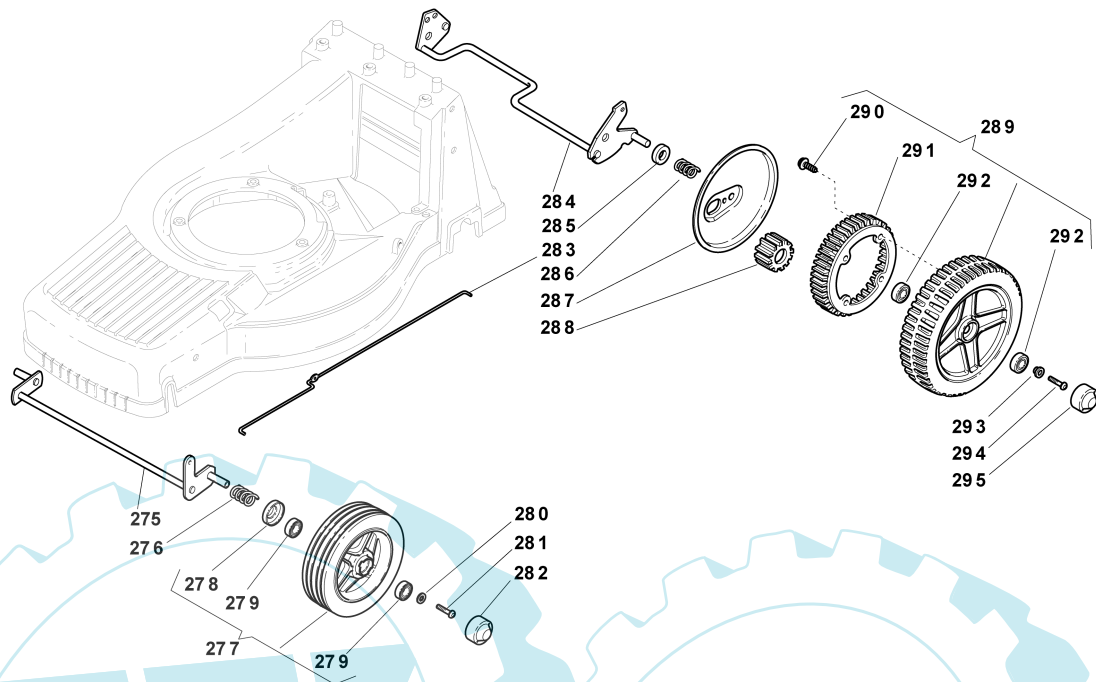
TR/E 4S



2007

864c.0

1 / 1



POS.	CODE	Q.TY	DESCRIZIONE	DESCRIPTION	DESCRIPTION	BESCHREIBUNG	REMARKS
275	81002821/0	1	ASSE RUOTE ANTERIORI	AXLE, FRONT WHEELS	AXE ROUES AVANT	ACHSE, VORDERRAD	(504)
-	81002825/0	1	ASSE RUOTE ANTERIORI	AXLE, FRONT WHEELS	AXE ROUES AVANT	ACHSE, VORDERRAD	(554)
276	22430210/0	2	MOLLA	SPRING	RESSORT	FEDER	
277	81007364/0	2	RUOTA Ø 190	WHEEL Ø 190	ROUE Ø190	RAD Ø 190	
278	22160522/0	2	DISCO PARAPOLVERE	DUST COVER	PROTEGE-POUSSIÈRE	STAUBSCHUTTSCHIBE	
279	19216039/0	4	CUSCINETTO	BEARING	COUSSINET	LAGER	
280	12521460/0	2	ROSETTA	WASHER	RONDELLE	SCHEIBE	
281	12735662/0	2	VITE	SCREW	VIS	SCHRAUBE	
282	22110379/0	2	COPRIMOZZO	HUB CAP	COUVRE-MOYEU	RADKAPPE	
283	22033322/0	1	ASTA COMANDO REGOL. ALTEZZA	ROD, HEIGHT ADJUSTMENT CONTROL	TIGE COMMANDE REGLAGE HAUTEUR	STANGE, HÖHEVERSTELLUNG	(504)
-	22033324/0	1	ASTA COMANDO REGOL. ALTEZZA	ROD, HEIGHT ADJUSTMENT CONTROL	TIGE COMMANDE REGLAGE HAUTEUR	STANGE, HÖHEVERSTELLUNG	(554)
284	81002823/0	1	ASSE RUOTE POSTERIORI	AXLE, REAR WHEELS	AXE ROUES ARRIERE	ACHSE, HINTERRAD	
285	22170810/0	2	DISTANZIALE	SPACER	ENTRETOISE	DISTANZRING	
286	22430215/0	2	MOLLA	SPRING	RESSORT	FEDER	
287	22600127/0	2	PROT. RUOTE	PROTECTION, WHEEL	PROTECTION ROUE	SCHÜTZ, RÄDER	
288	22570126/0	2	PIGNONE	PINION	PIGNON	RITZEL	
289	81007367/0	2	RUOTA Ø 205	WHEEL Ø 205	ROUE Ø 205	RAD Ø 205	(504)
-	81007368/0	2	RUOTA Ø 215	WHEEL Ø 215	ROUE Ø 215	RAD. Ø 215	(554)
290	12728210/0	8	VITE	SCREW	VIS	SCHRAUBE	
291	22120108/0	2	CORONA	RING GEAR	COURONNE	KRANZ	
292	19216038/0	4	CUSCINETTO	BEARING	COUSSINET	LAGER	
293	22671655/0	2	ROSETTA	WASHER	RONDELLE	SCHEIBE	
294	12735592/0	2	VITE	SCREW	VIS	SCHRAUBE	
295	22110380/0	2	COPRIMOZZO	HUB CAP	COUVRE-MOYEU	RADKAPPE	

TU

454

504

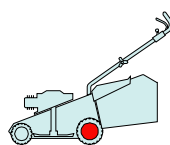
554

TR

TR/E

TR 4S

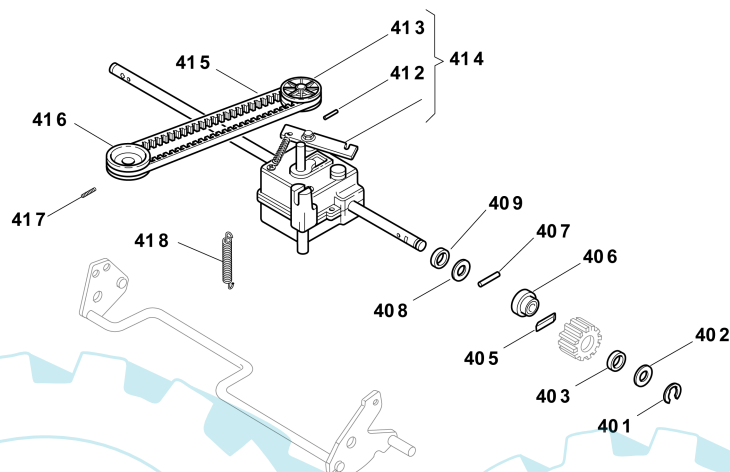
TR/E 4S



2007

865.0

1 / 1



POS.	CODE	Q.TY	DESCRIZIONE	DESCRIPTION	DESCRIPTION	BESCHREIBUNG	REMARKS
401	12000957/0	2	ANELLO BENZING	BENZING	ANNEAU BENZING	BENZING	
402	12520032/0	2	ROSETTA	WASHER	RONDELLE	SCHEIBE	
403	22160520/0	2	DISCO PARAPOLVERE	DUST COVER	PROTEGE-POUSSIERE	STAUBSCHUTSCHEIBE	
405	22076645/0	2	CHIAVE	KEY	CLEF	SCHLÜSSEL	
406	22170630/0	2	DISTANZIALE	SPACER	ENTRETOISE	DISTANZRING	
407	22753002/0	2	SPINA	PIN	GOUPILLE	STIFT	
408	12520032/0	2	ROSETTA	WASHER	RONDELLE	SCHEIBE	
409	19035152/0	2	ANELLO OR	OR RING	BAGUE OR	RING OR	
412	12620310/0	1	SPINA	PIN	GOUPILLE	STIFT	
413	22601913/0	1	PULEGGIA	PULLEY	POULIE	RIEMENSCHIEBE	
414	81003084/0	1	GRUPPO TRAZIONE	GEAR BOX	GROUPE TRACTION	ANTRIEB	(454)
-	81003085/0	1	GRUPPO TRAZIONE	GEAR BOX	GROUPE TRACTION	ANTRIEB	(504 - 554)
415	35063173/0	1	CINGHIA LP 730	BELT LP 730	COURROIRE LP 730	RIEMEN LP 730	(454)
-	35063175/0	1	CINGHIA LP 750	BELT LP 750	COURROIRE LP 750	RIEMEN LP 750	(504)
-	35064383/0	1	CINGHIA XPZ LP 737	BELT XPZ LP 737	COURROIRE XPZ LP 737	RIEMEN XPZ LP 737	(554)
416	22601918/0	1	PULEGGIA	PULLEY	POULIE	RIEMENSCHIEBE	
417	12714312/0	1	GRANO	DOWEL	GRAIN	STIFT	
418	22450434/0	1	MOLLA	SPRING	RESSORT	FEDER	

TU

454

504

554

TR

TR/E

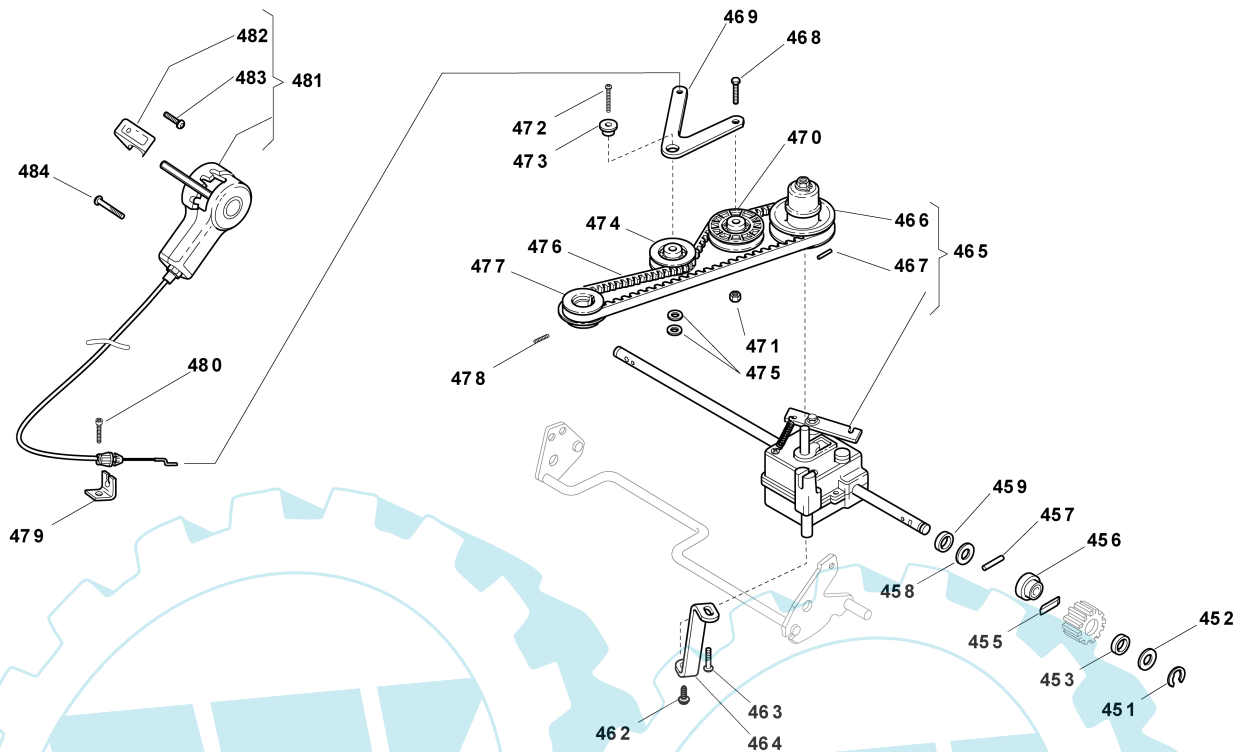
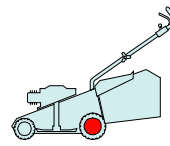
TR 4S

TR/E 4S

2007

865a.0

1 / 2



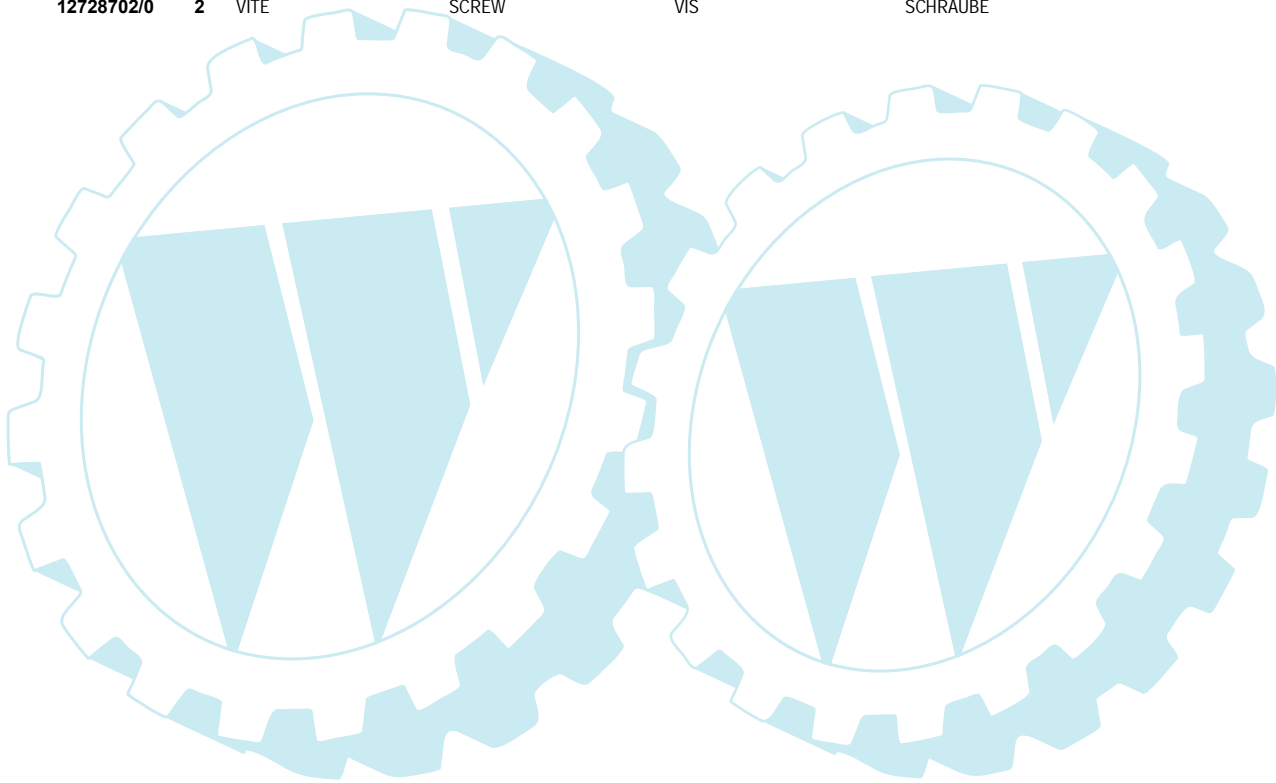
POS.	CODE	Q.TY	DESCRIZIONE	DESCRIPTION	DESCRIPTION	BESCHREIBUNG	REMARKS
451	12000957/0	2	ANELLO BENZING	BENZING	ANNEAU BENZING	BENZING	
452	12520032/0	2	ROSETTA	WASHER	RONDELLE	SCHEIBE	
453	22160520/0	2	DISCO PARAPOLVERE	DUST COVER	PROTEGE-POUSSIERE	STAUBSCHUTTSCHIBE	
455	22076645/0	2	CHIAVE	KEY	CLEF	SCHLÜSSEL	
456	22170630/0	2	DISTANZIALE	SPACER	ENTRETOISE	DISTANZRING	
457	22753002/0	2	SPINA	PIN	GOUPILLE	STIFT	
458	12520032/0	2	ROSETTA	WASHER	RONDELLE	SCHEIBE	
-	12520032/0	2	ROSETTA	WASHER	RONDELLE	SCHEIBE	
459	19035152/0	2	ANELLO OR	OR RING	BAGUE OR	RING OR	
462	12728300/0	1	VITE	SCREW	VIS	SCHRAUBE	
463	12735664/0	1	VITE	SCREW	VIS	SCHRAUBE	
464	22778407/0	1	SUPPORTO	SUPPORT	SUPPORT	HALTER	(454 - 554)
-	22778409/0	1	SUPPORTO	SUPPORT	SUPPORT	HALTER	(504)
465	81003090/0	1	GRUPPO TRAZIONE	GEAR BOX	GROUPE TRACTION	ANTRIEB	(454)
-	81003086/0	1	GRUPPO TRAZIONE	GEAR BOX	GROUPE TRACTION	ANTRIEB	(504 - 554)
466	22601916/0	1	PULEGGIA	PULLEY	POULIE	RIEMENSCHIBE	
467	12645700/0	1	SPINA ELASTICA	PIN	GOUPILLE	STIFT	
468	12674550/0	1	VITE	SCREW	VIS	SCHRAUBE	
469	22320001/0	1	LEVA TRAZIONE	DRIVING LEVER	LEVIER TRACTION	ANTRIEBHABEL	(454 - 504)
-	22320003/0	1	LEVA TRAZIONE	DRIVING LEVER	LEVIER TRACTION	ANTRIEBHABEL	(554)
470	22601914/0	1	PULEGGIA	PULLEY	POULIE	RIEMENSCHIBE	
471	12154510/0	1	DADO	NUT	ECROU	MUTTER	
472	12735669/0	1	VITE	SCREW	VIS	SCHRAUBE	
473	22671656/0	1	RONDELLA	WASHER	RONDELLE	SCHEIBE	
474	22601915/0	1	PULEGGIA	PULLEY	POULIE	RIEMENSCHIBE	
475	12523040/0	2	ROSETTA	WASHER	RONDELLE	SCHEIBE	

2007

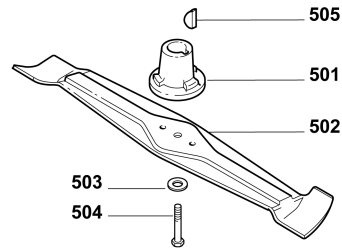
865a.0

2 / 2

POS.	CODE	Q.TY	DESCRIZIONE	DESCRIPTION	DESCRIPTION	BESCHREIBUNG	REMARKS
476	35064373/0	1	CINGHIA XPZ LP 737	BELT XPZ LP 737	COURROIRE XPZ LP 737	RIEMEN XPZ LP 737	(454)
-	35064378/0	1	CINGHIA XPZ LP 780	BELT XPZ LP 780	COURROIRE XPZ LP 780	RIEMEN XPZ LP 780	(504)
-	35064383/0	1	CINGHIA XPZ LP 737	BELT XPZ LP 737	COURROIRE XPZ LP 737	RIEMEN XPZ LP 737	(554)
477	22601917/0	1	PULEGGIA	PULLEY	POULIE	RIEMENSCHLEIBE	
478	12714312/0	1	GRANO	DOWEL	GRAIN	STIFT	
479	22806619/0	1	SUPPORTO	SUPPORT	SUPPORT	HALTER	
480	12735664/0	1	VITE	SCREW	VIS	SCHRAUBE	
481	81007096/0	1	CAVO COMANDO MARCE	CABLE, SPEED DRIVE CONTROL	CABLE, COMM. CHANGEMENT VITESSE	KABEL, GÄNGESCHALTUN	(454)
-	81007097/0	1	CAVO COMANDO MARCE	CABLE, SPEED DRIVE CONTROL	CABLE, COMM. CHANGEMENT VITESSE	KABEL, GÄNGESCHALTUN	(504)
-	81007098/0	1	CAVO COMANDO MARCE	CABLE, SPEED DRIVE CONTROL	CABLE, COMM. CHANGEMENT VITESSE	KABEL, GÄNGESCHALTUN	(554)
482	22399809/0	1	MANOPOLINA	KNOB	POIGNÉE	GRIFF	
483	12728300/0	2	VITE	SCREW	VIS	SCHRAUBE	
484	12728702/0	2	VITE	SCREW	VIS	SCHRAUBE	



TU					2007
454	504	554	866.0		
TR	TR/E	TR 4S	TR/E 4S		1 / 1



POS.	CODE	Q.TY	DESCRIZIONE	DESCRIPTION	DESCRIPTION	BESCHREIBUNG	REMARKS
501	22465618/0	1	MOZZO	HUB	MOYEU	HALTER	
502	81004131/0	1	COLTELLO	BLADE	LAME	MESSER	(454)
-	81004143/0	1	COLTELLO ALETTATO	BLADE WINGED	LAME AILETTÉE	MESSER FLÜGEL	(504)
-	81004144/0	1	COLTELLO ALETTATO	BLADE WINGED	LAME AILETTÉE	MESSER FLÜGEL	(554)
503	12530140/0	1	ROSETTA	WASHER	RONDELLE	SCHEIBE	
504	12735698/0	1	VITE	SCREW	VIS	SCHRAUBE	
505	12139100/0	1	LINGUETTA	FEATHER	CLAVETTE	KEIL	

TU

454

504

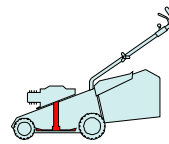
554

TR

TR/E

TR 4S

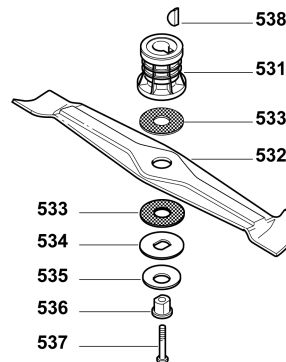
TR/E 4S



2007

866a.0

1 / 1



POS.	CODE	Q.TY	DESCRIZIONE	DESCRIPTION	DESCRIPTION	BESCHREIBUNG	REMARKS
531	22465619/0	1	MOZZO	HUB	MOYEU	HALTER	
532	81004132/0	1	COLTELLO ALETTATO	BLADE WINGED	LAME AILETTÉE	MESSER FLÜGEL	(454)
-	81004135/0	1	COLTELLO ALETTATO	BLADE WINGED	LAME AILETTÉE	MESSER FLÜGEL	(504)
-	81004134/0	1	COLTELLO ALETTATO	BLADE WINGED	LAME AILETTÉE	MESSER FLÜGEL	(554)
533	22672111/0	2	RONDELLA FRIZIONE	CLUTCH WASHER	RONDELLE FRICTION	KUPPLUNGSscheIBE	
534	22672105/0	1	ROSETTA	WASHER	RONDELLE	SCHEIBE	
535	12508120/0	1	MOLLA A TAZZA	CUPPED SPRING	RESSORT	TELLER FEDER	
536	22041940/0	1	BUSSOLA FRIZIONE	CLUTCH BUSH	DOUILLE FRICTION	KUPPLUNGSScheIBE	
537	12736850/0	1	VITE	SCREW	VIS	SCHRAUBE	
538	12139100/0	1	LINGUETTA	FEATHER	CLAVETTE	KEIL	

TU

454

504

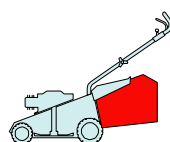
554

TR

TR/E

TR 4S

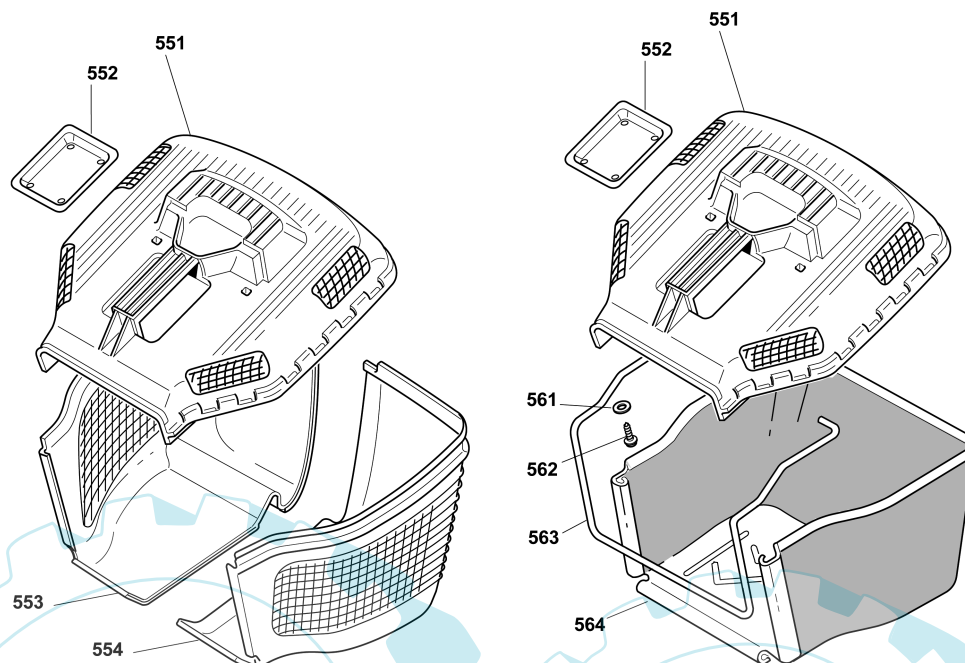
TR/E 4S



2007

867.0

1 / 1



POS.	CODE	Q.TY	DESCRIZIONE	DESCRIPTION	DESCRIPTION	BESCHREIBUNG	REMARKS
551	22486115/0	1	SACCO, PARTE SUP	GRASS-BOX, UPPER PART	SAC, PARTIE SUPERIEURE	KORB, OBERTEIL	(454)
-	22486095/0	1	SACCO, PARTE SUP	GRASS-BOX, UPPER PART	SAC, PARTIE SUPERIEURE	KORB, OBERTEIL	(504 -554)
552	22486098/0	1	PIASTRINA	PLATE	PLAQUETTE	PLÄTTCHEN	
553	22486120/0	1	SACCO, PARTE INF DX	GRASS-BOX, R LOWER	SAC, PARTIE INFERIEURE D	KORB, R UNTERTEIL	(454)
-	22486099/0	1	SACCO, PARTE INF DX	GRASS-BOX, R LOWER	SAC, PARTIE INFERIEURE D	KORB, R UNTERTEIL	(504 -554)
554	22486119/0	1	SACCO, PARTE INF SX	GRASS-BOX, L LOWER	SAC, PARTIE INFERIEURE G	KORB, L UNTERTEIL	(454)
-	22486100/0	1	SACCO, PARTE INF SX	GRASS-BOX, L LOWER	SAC, PARTIE INFERIEURE G	KORB, L UNTERTEIL	(504 -554)
561	12521460/0	2	ROSETTA	WASHER	RONDELLE	SCHEIBE	
562	12728300/0	2	VITE	SCREW	VIS	SCHRAUBE	
563	22608518/0	1	RINFORZO INF	STIFFENING LOWER	RÉNFORCEMENT INF	VERSTÄRKUNG UNTERE	(454)
-	22608528/0	1	RINFORZO INF	STIFFENING LOWER	RÉNFORCEMENT INF	VERSTÄRKUNG UNTERE	(504 -554)
564	81002239/0	1	SACCO, TELA	BOX, FABRIC	SAC, TOILE	SACK, TUCK	(454)
-	81002235/0	1	SACCO, TELA	BOX, FABRIC	SAC, TOILE	SACK, TUCK	(504 -554)